

# BUILT-IN CUPBOARDS

## DIY flat PACK

### STANDARD

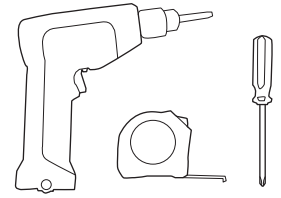
Thank you for choosing Blue Crane Woodcraft's DIY flat PACK.

Please visit our website if you have any queries, or if you require more information

[www.bluecranewoodcraft.co.za](http://www.bluecranewoodcraft.co.za)

# 1

What you will need:



**NOT** included in your unit pack:

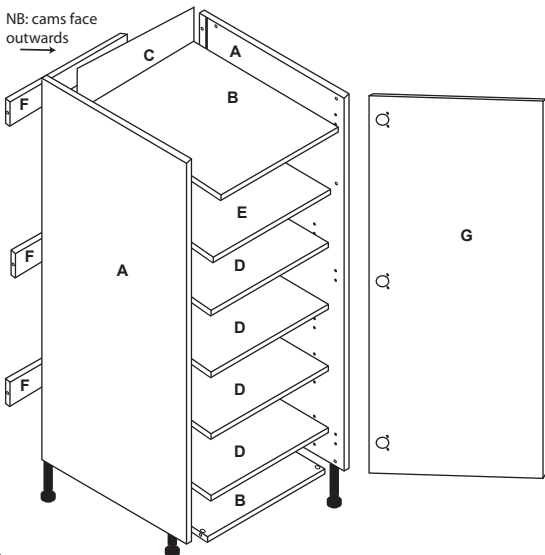
- Handles
- Fillers
- Floorboards
- Cornices

# 2

What is included in your unit pack:

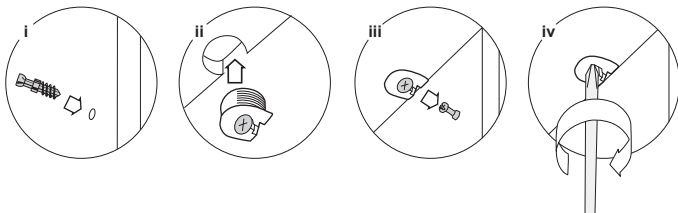
- |                                     |                             |
|-------------------------------------|-----------------------------|
| A 2x side panels                    | 14x connecting fittings     |
| B 1x base 1x top                    | 4x shelf support cams       |
| C 1x masonite back                  | 18x bolts                   |
| D adjustable shelves OR             | oval rail/s with brackets   |
| E 1x fixed shelf                    | 4x shelf supports per shelf |
| F 3x cleats                         | 3x hinges per door          |
| G door/doors                        | 4x wall anchors             |
| 2x floorboard clip                  | 4x 8x30 screws              |
| 4x adjustable legs with 8x16 screws |                             |

NB: cams face outwards



# 3

Assemble units as follows:



- Step 1 Fit dowels into side panels (A)
- Step 2 Attach base, top & fixed shelf (B & E)
- Step 3 Slide masonite back (C) into one side
- Step 4 Attach cleats ( F )
- Step 5 Fit other side panel (A) then tighten cams

# 4

Final installation:

- Attach adjustable legs
- Use wall anchors to attach unit to wall
- Drill 100mm from side
- Fit door/s, shelf/shelves / oval rail/s

