

BUILT-IN CUPBOARDS

DIY flat PACK

ECONOMY

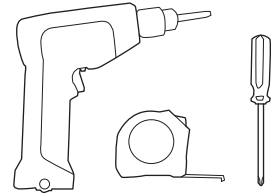
Thank you for choosing Blue Crane Woodcraft's DIY flat PACK.

Please visit our website if you have any queries, or if you require more information

www.bluecranewoodcraft.co.za

1

What you will need:



NOT included in your unit pack:

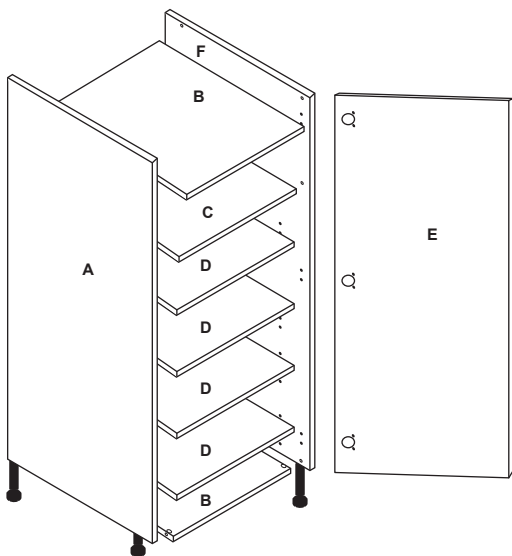
- Handles
- Fillers
- Floorboards
- Cornices

PLEASE NOTE:

- Economy units have NO Backing
- Joining units share a middle panel

2

What is included in your unit pack:

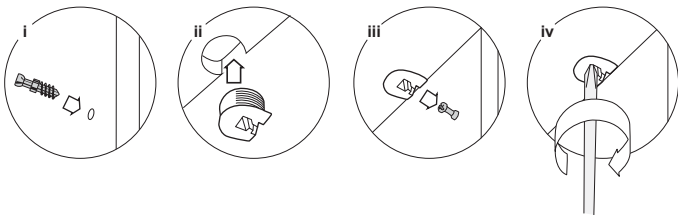


- A 1x side panel
- B 1x base 1x top
- C 1x fixed shelf
- D adjustable shelves OR
- E door/doors
- F optional end panel with 6x knock-down fittings
- 2x floorboard clip
- 4x connecting fittings
- 2x shelf support cams
- 6x bolts
- oval rail/s with brackets
- 4x shelf supports per adj shelf
- 3x half-overlay hinges per door
- 2x white metal brackets with screws
- 4x adjustable legs with 8x16 screws

NOTE: Middle panels have 8x connecting fittings, 4x shelf support cams, 12 bolts, 12 threaded sleeves with 12 cheese head screws for hinges

3

Assemble units as follows:



- Step 1 Fit bolts into side panel (A)
- Step 2 Attach base, top & fixed shelf (B & C)
- Step 3 Fit other side panel (A)
- Step 4 Tighten cams
- Step 5 Attach adjustable legs

4

Final installation:

- Use brackets to attach 1st unit to wall
- Add next unit starting with base
- Lastly attach door/s & fit shelves or rails

